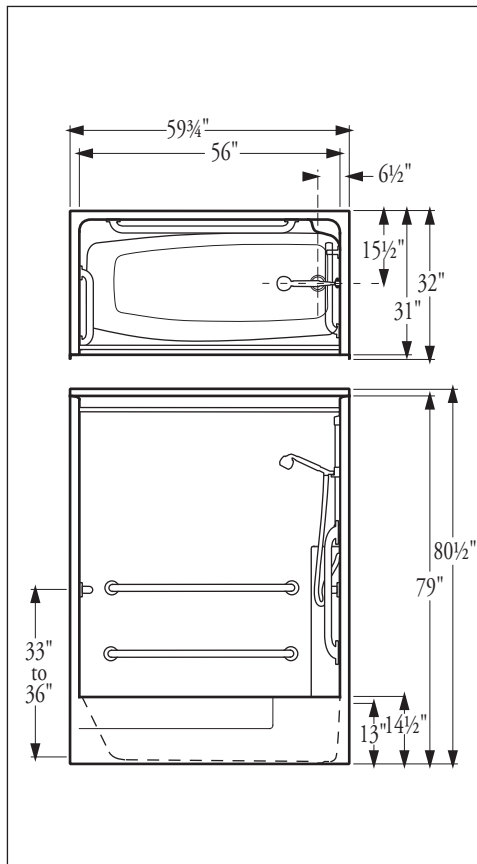


**Florestone  
Model 60-33HTS  
Institutional Tub/Shower**

59¾" x 32" x 80½"  
Weight: 175 lbs.

**Architect's  
Specifications**

Furnish and install one-piece gel-coated shower Model 60-33HTS designed for institutional use as manufactured by Florestone Products Company. Basic shower will conform to ANSI-Z-124.1. Unit to include stainless steel curtain rod; Symmons® pressure balance mixing valve with concealed check stops; Moen® hand-held shower head with hose and stainless steel slide bar/grab bar; stainless steel grab bars; 2 each 36", 1 each 18", 1 each 16"; molded corner soap dish.



**Shower  
comes complete  
with accessories:**

- Stainless steel curtain rod
- Symmons® pressure balance mixing valve
- Moen® hand-held shower head, hose and stainless steel slide bar/grab bar
- Stainless steel grab bars: 2 each 36", 1 each 18" 1each 16"
- Molded corner soap dish

**Standards:**

I.A.P.M.O. File No. 0687  
ANSI-Z-124.2



**FLORESTONE PRODUCTS CO., INC.**

2851 Falcon Drive • Madera, CA 93637  
T. 559.661.4171 • T. 800.446.8827  
F. 559.661.2070 • florestone.com

**Dimensions may vary ± ¼" inch.  
Please check unit before installation.**

**Dimensions subject to  
change without notice.  
Contact Florestone  
Products to verify  
product specifications.**