



Florestone Model 3PC44-52H Barrier-Free Shower

44¼" x 52" x 84"

Weight: 295 lbs.

Architect's Specifications

Furnish and install one-piece gel-coated fiberglass shower stall Model 3PC44-52H designed for barrier-free use as manufactured by Florestone. Basic shower will conform to ANSI-Z-124.2. Unit to include stainless steel curtain rod; Symmons® pressure balance mixing valve with concealed check stops; Moen® hand-held shower head with hose and stainless steel slide bar/grab bar; stainless steel corner grab bar; stainless steel recessed soap dish; white naugahyde folding wheel- chair transfer seat (*specify right or left hand*).

Supplied with 2" brass drain.

Shower curtain optional.

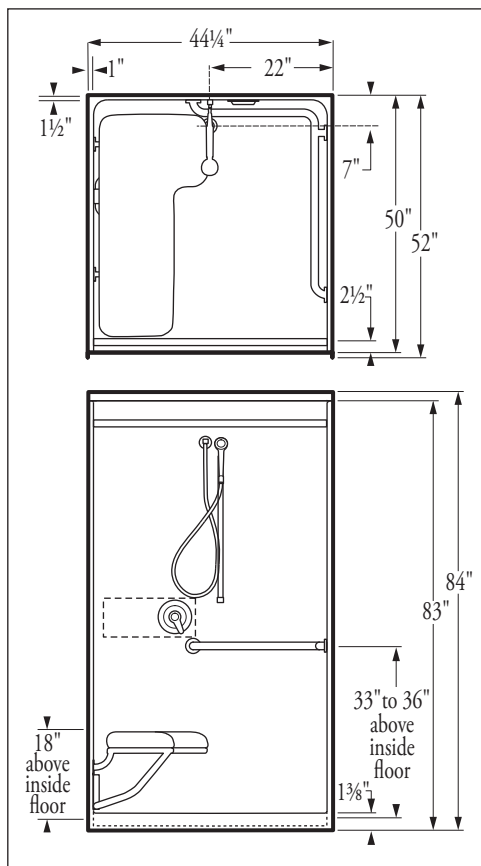
Curtain Size: 54" x 78".

Standard Color: White.

Special order colors available.

Shower comes complete with accessories:

- Stainless steel curtain rod
- Symmons® pressure balance mixing valve
- Moen® hand-held shower head, hose and stainless steel slide bar/grab bar
- Two stainless steel grab bars
- Stainless steel recessed soap dish
- White naugahyde folding wheelchair transfer seat (*specify right or left hand*)
- **Optional:** Phenolic folding wheelchair transfer seat (*specify right or left hand*)



Dimensions subject to
change without notice.

Contact Florestone
Products to verify
product specifications.

Dimensions may vary \pm ¼" inch. Please check unit before installation.

For barrier-free installation, contractor shall provide recess for curb in sub floor.

Note: Exterior floor drain for water run-off recommended.
Symmons® is a Registered Trade Mark of Symmons Industries, Inc.
Moen® is a Registered Trade Mark of Moen Corporation.

Standards:

I.A.P.M.O. File No. 0687

ANSI-Z-124.2



FLORESTONE
A Spec Above.™

FLORESTONE PRODUCTS CO., INC.

2851 Falcon Drive • Madera, CA 93637

T. 559.661.4171 • T. 800.446.8827

F. 559.661.2070 • florestone.com