

Florestone Model 4040F Barrier-Free RTM Shower Base



ADA
COMPLIANT*

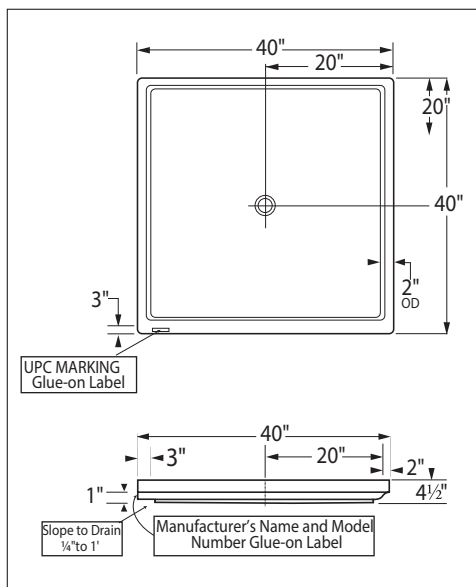
Architect's Specifications

Furnish and install one piece shower unit Model 4040F-BF as manufactured by Florestone. Unit to be manufactured of acrylic coated fiberglass and to be supplied with slip-resistant floor laminated for extra rigidity. Color will be white (unless otherwise specified). Unit to be supplied with a 2" BNC brass non-caulk drain.



One piece, single threshold model for recessed installation. Features 1" flange on three remaining sides.

Standard Color: White

Optional Colors: Color matching for most major manufacturers' colors is available.



Standards:

I.A.P.M.O.	File No. 0687	 
ANSI	Z-124.2	
HUD/FHA	National Specifications UN-73	
CSA TEST	Warnock Hersey Listed: CAN/CSA-B45.0-CAN/USA-B45.5	



FLORESTONE PRODUCTS CO., INC.

2851 Falcon Drive • Madera, CA 93637

T. 559.661.4171 • T. 800.446.8827

F. 559.661.2070 • florestone.com

**Dimensions may vary \pm 1/4" inch.
Please check unit before installation.**

For barrier-free installation, contractor shall provide 1/8" minimum recess for curb in sub floor.

ADA compliance when accessories installed by manufacturer.

**Dimensions subject to
change without notice.**

**Contact Florestone Products
to verify product
specifications.**