

Florestone Mop Receptors

QUALITY YOU CAN TRUST.

Since 1947, Florestone Products Company has built a reputation based on product quality, ease of installation and reliability. Today we serve contractors, engineers, specifiers, architects and builders with products, service and distribution nationwide. The manufacturing methods, craftsmanship and attention to detail of Florestone Mop Receptors are second to none.

WIDE VARIETY OF SIZES AND STYLES.

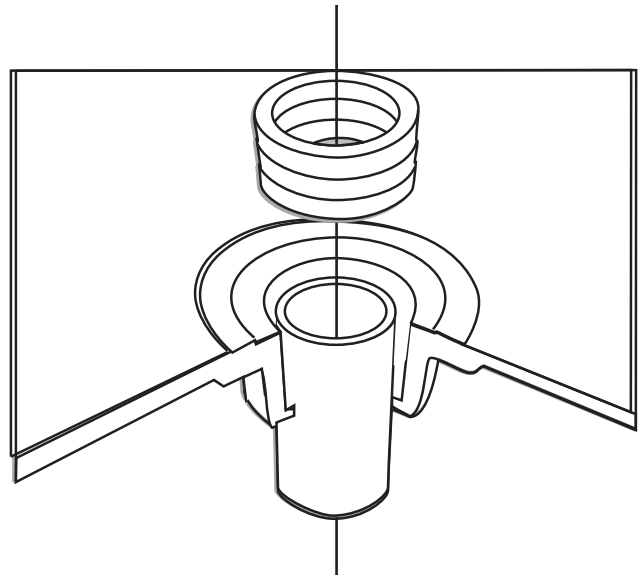
You have a wide choice of models, sizes, and styles. Many models are available in recess, corner, and neo-angle styles, with a choice of flanges and caps. You can choose between the durability of heavy-weight terrazzo and practicality of light-weight pressure molded construction.

ONE PIECE CONSTRUCTION

Molded under pressures up to 100,000 pounds per square foot, Florestone Molded Mop Receptors are designed not to crack or leak under normal use. Terrazzo receptors are also one-piece design with galvanized steel flanges cast integral for durability.

EXCLUSIVE WEDGE-LOKÆ INTEGRAL SEAL (MOLDED MOP RECEPTORS ONLY)

Florestone Molded Mop Receptors come with an integral drain molded into the receptor, eliminating the need for a separate drain. The Wedge-Lok Seal connects easily to a 2" or 3" drain.



FLORESTONE PRODUCTS CO., INC.

2851 Falcon Drive • Madera, CA 93637

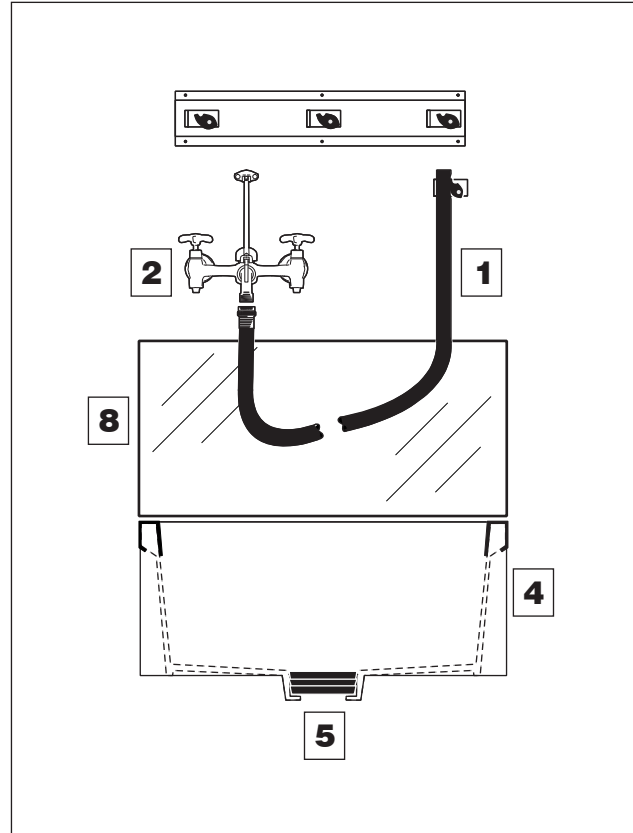
T. 559.661.4171 • T. 800.446.8827

F. 559.661.2070 • florestone.com

Florestone Molded and Terrazzo Mop Receptors Accessories

Architect's Specifications

- (1) **MR-370** 5/8" Hose, 5' long with clamp.
- (2) **MR-371** Moen Faucet with vacuum braker, double stops and bucket hook with brace. U.S. made.
- (3) **MR-372** Mop hanger with 3 clamps.
- (4) **MR-373** Stainless Steel rim guard, #304, 20 gauge, 24" or 36".
*Specify length and one (1), two (2), three (3) or four (4) each.
(available on Molded Mop Sinks only)*
- (5) **MR-374 Wedge-Lok®** Seal, *specify 2" or 3".
(available on Molded Mop Sinks only)*
- (6) **MR-375** Flat strainer, chrome.
(available on Molded Mop Sinks only)
- (7) **MR-376** Dome strainer, chrome.
(available on Molded Mop Sinks only)
- (8) **MR-377** Two (2) each 24" panels or
Two (2) each 32" panels or
One (1) 24" panel and
One (1) 36" panel.



FLORESTONE PRODUCTS CO., INC.

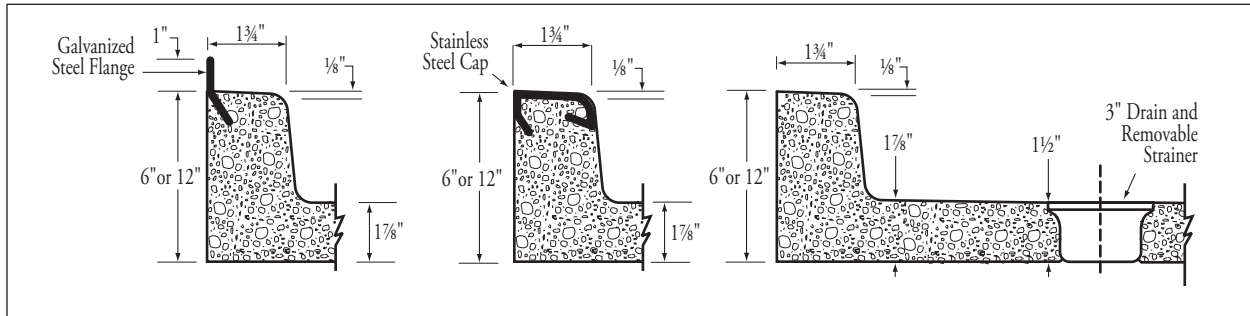
2851 Falcon Drive • Madera, CA 93637

T. 559.661.4171 • T. 800.446.8827

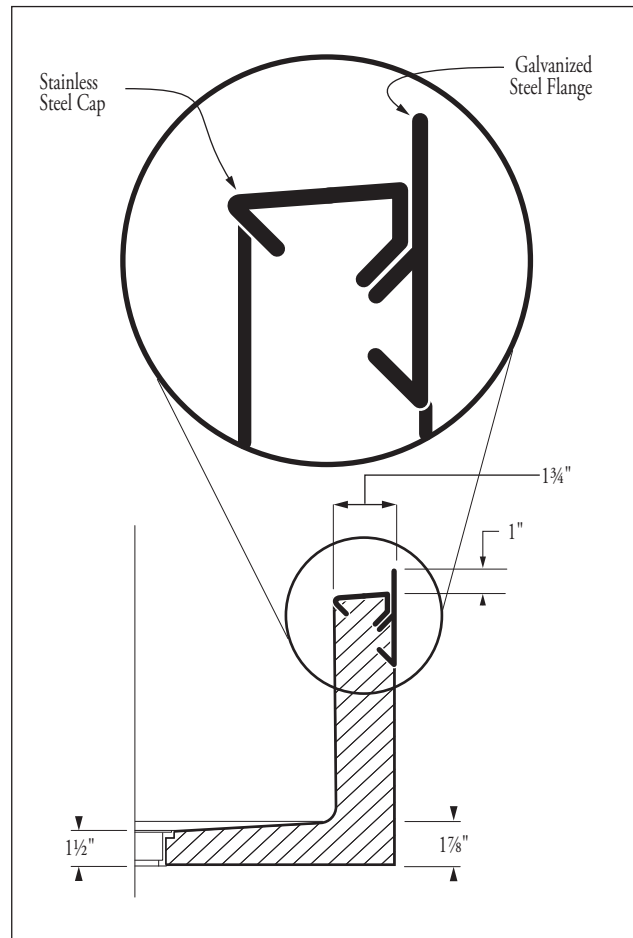
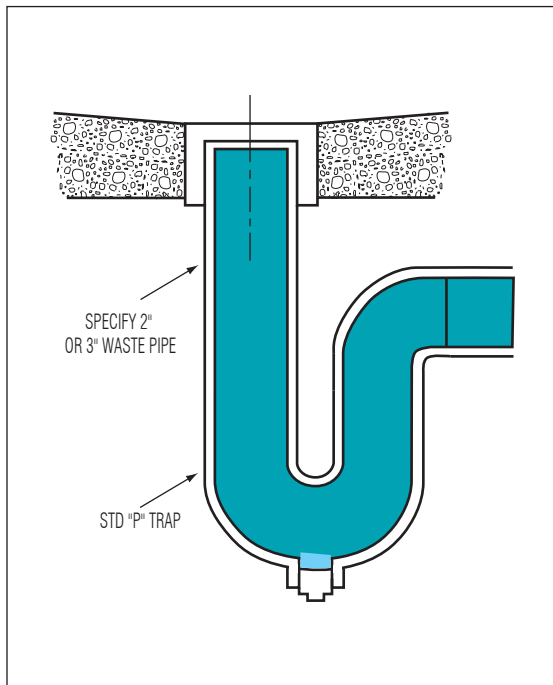
F. 559.661.2070 • florestone.com

Floestone Terrazzo Mop Receptors Installation Instructions

Please Note: Flanges and Stainless Steel Caps are integral to the unit. They cannot be added later.



1. Place Mop Receptor on a thin bed of mortar or plaster.
2. Level unit front to back, right to left.
3. Use water to check for proper drainage after attaching drain pipe before finishing walls. Check for any cracks that may have resulted from handling or shipping.



FLORESTONE PRODUCTS CO., INC.

2851 Falcon Drive • Madera, CA 93637

T. 559.661.4171 • T. 800.446.8827

F. 559.661.2070 • floestone.com

Construction Detail showing optional flange and cap.