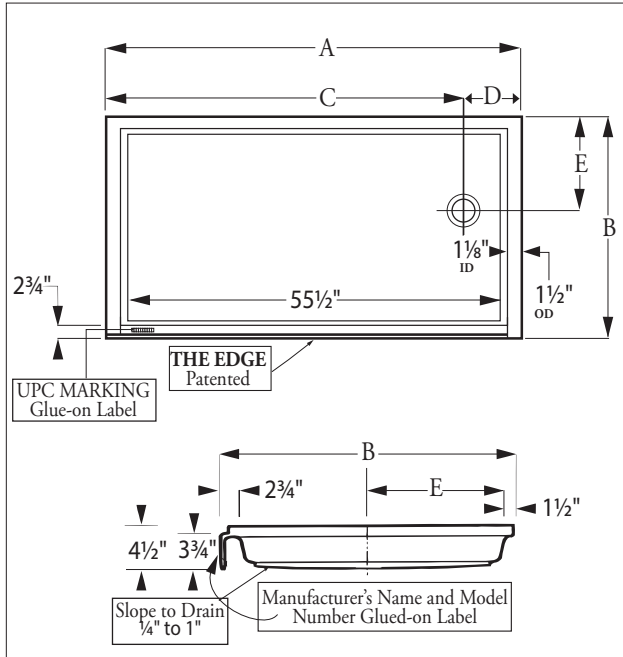




One piece, single threshold model for recessed installation. Features 1" flange on three remaining sides.

Specify RH or LH Drain



One piece, single threshold model for recessed installation. Features 1" flange on three remaining sides. End drain.

### RTM END-DRAIN SHOWER RECEPTORS

Model	A	B	C	D	E	WT.
3060F	59 3/4"	30"	52"	8"	15"	45
3260F	59 3/4"	32"	52"	8"	15"	45
3460F	60 1/4"	34"	52"	8"	15"	60
3660F	60 1/4"	36"	52"	8"	15"	64

#### Standards:

I.A.P.M.O. International Association of Plumbing and Mechanical Officials  
File No. 0687.

ANSI American National Standards Institute - Specifications Z-124.2.



## Florestone RTM Off-Set Drain Shower Base with THE EDGE

### Architect's Specifications

Furnish and install RTM one piece shower unit manufactured by Florestone. Unit to be manufactured of acrylic coated fiberglass and to be supplied with slip-resistant floor laminated for extra rigidity. Color will be white (unless otherwise specified). Unit to be supplied with a 2" PNC non-caulk drain

### Colors

Standard Color: White

Optional Colors: Almond, Biscuit, Bone and Special Granite Colors.

Color matching most major manufacturers' colors available.

### Accessories

Strainer, Chrome

Strainer, Plastic

Repair Kit.

**Dimensions may vary  $\pm$  1/4" inch.  
Please check unit before installation.**

**Place base on a bed of mortar or  
plaster for warranty compliance.**

**Dimensions subject to  
change without notice.  
Contact Florestone Products to  
verify product specifications.**



**FLORESTONE PRODUCTS CO., INC.**

2851 Falcon Drive • Madera, CA 93637

T. 559.661.4171 • T. 800.446.8827

F. 559.661.2070 • florestone.com